

P.C. Board Layout  
(Tolerance:  $\pm 0.05$ )

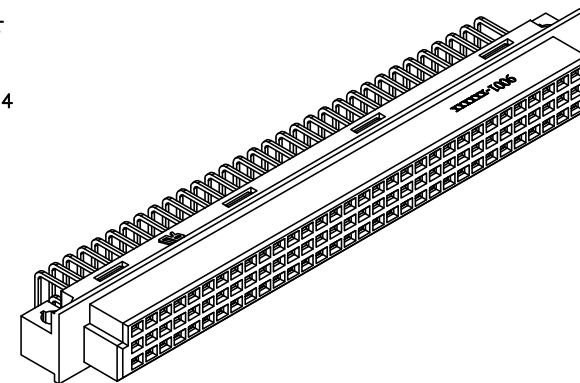
**Material and Plating:**

Housing: PBT UL94V-0. Beige.  
 Contacts: Copper Alloy .  
 Gold plated on Contact Area and 80u" Min Tin Plated or  
 Gold Flash on Solder Tail over Nickel 50u" Min.

**Electrical Characteristics:**

Current Rating: 2 AMP.  
 Dielectric Withstanding Voltage: AC 1000V for 1minute.  
 Insulator Resistance:  $10^6$  M $\Omega$  min. at DC 500V.  
 Contact Resistance: 20m $\Omega$  max. at DC 100m A.  
 Operating Temperature: -55°C ~ +125°C .

**\* RoHS Compliant**  
**\*Default without lock buckle**



Dwg. No.		11D000037		DIN Signal C 396 90° Type Male 2.54mm	<b>寰宇hnndo</b>			
Projection								
Unit	mm	Scale	NOT TO SCALE		P/N	11119611001		
Type	C	Sheet	1/1	Date	2025/8/1	Ver. NO	1.0	