

Material:

Housing: PBT, UL94V-0,Beige.

Contacts: Brass

Gold Plated on Contact Area and 80u" Min Tin Plated on solder tail over Nickel 50u" Min

Lock: Phosphor Bronze

80u" Min Tin Plated over Nickel 50u" Min

Electrical Characteristics:

Current Rating: 2 AMP.

Dielectric Withstanding Voltage: AC 1000V For 1 minute.

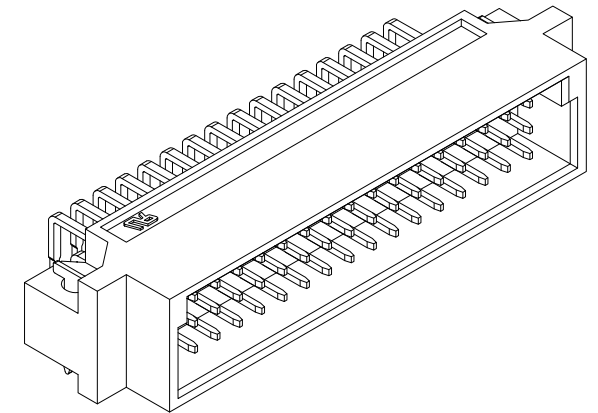
Insulator Resistance: 10⁶MΩ min. at DC 500V.

Contact Resistance: 20mΩ max. at DC 100mA.

Operating Temperature: -55°C~+125°C .

***RoHS Compliant**

***Default without lock buckle**



| | | | | | | | | |
|-------------------|----|--------------|--------------|---|----------------|-------------|----------------|-----|
| Dwg. No. | | 11D000013 | | DIN Signal 2C 332 90° Type Male 2.54mm | 寰宇hnndo | | | |
| Projection | | ⊕ ↗ | | | P/N | 11153211001 | | |
| Unit | mm | Scale | NOT TO SCALE | | Date | 2025/8/1 | Ver. NO | 1.0 |
| Type | 2C | Sheet | 1/1 | | | | | |