

**Material and Plating:**

Housing: PBT, UL94V-0, Beige.

Contacts: Copper Alloy

Lock: Phosphor Bronze.

Gold Plated on Contact Area and 80u" Min Tin Plated or Gold Flash on Solder Tail or Press Fit over Nickel 50u" Min.

**Electrical Characteristics:**

Current Rating: 2 AMP.

Dielectric Withstanding Voltage: AC 1000V For 1 minute.

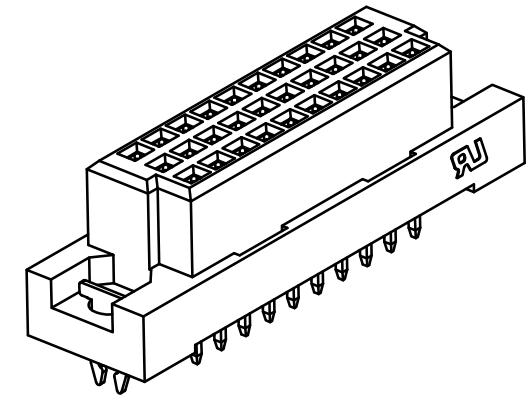
Insulator Resistance:  $10^6 M\Omega$  min. at DC 500V.

Contact Resistance:  $20m\Omega$  max. at DC 100mA.

Operating Temperature:  $-55^{\circ}C \sim +125^{\circ}C$ .

**\*RoHS Compliant**

**\*Default without lock buckle**



Dwg. No.		11D000010		DIN Signal 3C 330 180° Type Female 2.54mm	寰导hnndo			
Projection								
Unit	mm	Scale	NOT TO SCALE		P/N	11163011001		
Type	3C	Sheet	1/1	Date	2025/8/1	Ver. NO	1.0	